

PRODUCT SPECIFICATIONS

Available Models

Model 4VL16
(Up to 9 blocks/leg)

Model 4VL32
(Up to 18 blocks/leg)



2.4 m Non-Penetrating Roof Mount

MODEL 4VL

The Skyware Global 4VL non-penetrating roof mount is designed to accommodate the 2.4 m offset antenna system. This mount has been field proven to meet demanding commercial applications.

The non-penetrating roof mount is designed to be used on a flat roof and incorporates trays to hold ballast. The 4VL NPRM is a solid, easily-installed and cost-effective mounting system.

- For installations up to 125 mph survival.
- Includes rubber roof pads.
- Tray holds up to nine blocks each.
- Ballast tailored to site requirements.
- Up to two trays per leg.
- All materials comply with EU directive No. 2002/95/EC (RoHS)

SPECIFICATIONS

2.4 m Non-Penetrating Roof Mount

Model Selction Chart for Building Height 0' - 20'

WIND SPEED		70 mph	80 mph	90 mph	100 mph	110 mph	120 mph	125 mph
Tethered On Any Type Roof 4' Base Height	exp. "B"	4VL16	4VL16	4VL16	4VL16	4VL16	4VL16	4VL16
	exp. "C"	4VL16	4VL16	4VL16	4VL32	4VL32	4VL32	4VL32
Untethered built-Up Roof (cu = .75)	exp. "B"	4VL16	4VL16	4VL16	4VL16	4VL32	4VL32	4VL32
	exp. "C"	4VL16	4VL16	4VL32	4VL32	N/A	N/A	N/A

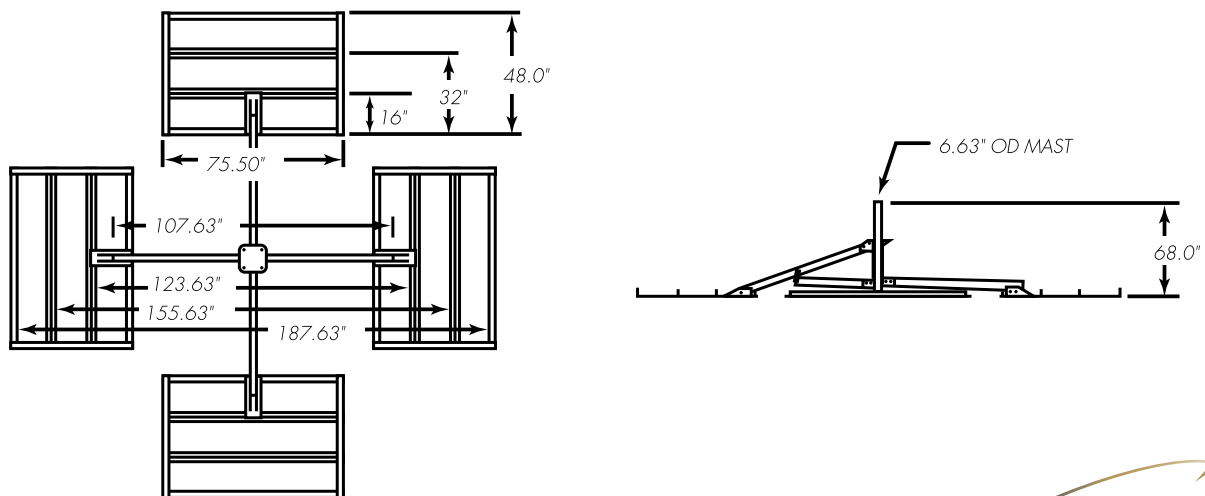
Model Selction Chart for Building Height 20' - 40'

WIND SPEED		70 mph	80 mph	90 mph	100 mph	110 mph	120 mph	125 mph
Tethered On Any Type Roof 4' Base Height	exp. "B"	4VL16	4VL16	4VL16	4VL16	4VL16	4VL16	4VL16
	exp. "C"	4VL16	4VL16	4VL32	4VL32	4VL32	4VL32	4VL32
Untethered built-Up Roof (cu=.75)	exp. "B"	4VL16	4VL16	4VL16	4VL32	4VL32	4VL32	4VL32
	exp. "C"	4VL16	4VL32	4VL32	4VL32	N/A	N/A	N/A

To achieve a static friction coefficient of 0.75 on a built-up roof (tar & gravel), a .13 in (3 mm) thick rubber matting must be placed between the ballast trays and the roof. Any loose gravel should be removed from the area under the rubber matting.

Exposure Level "B" - Urban, suburban and wooded areas with numerous, closely spaced obstructions the size of single family houses or larger.

Exposure Level "C" - Open terrain with only scattered obstructions, generally less than 30 ft in height. This includes flat, open country and grasslands.



skyware
G L O B A L
satcom solutions for the world™

Skyware Global
1315 Industrial Park Drive
Smithfield, NC 27577
USA

Telephone: +1-919-989-2280
Sales: salesnc@skywareglobal.com
Internet: www.skywareglobal.com

All designs, specifications and availabilities of products and services presented in this bulletin are subject to change without notice.
VSA-006.2
© 2010 Skyware Global